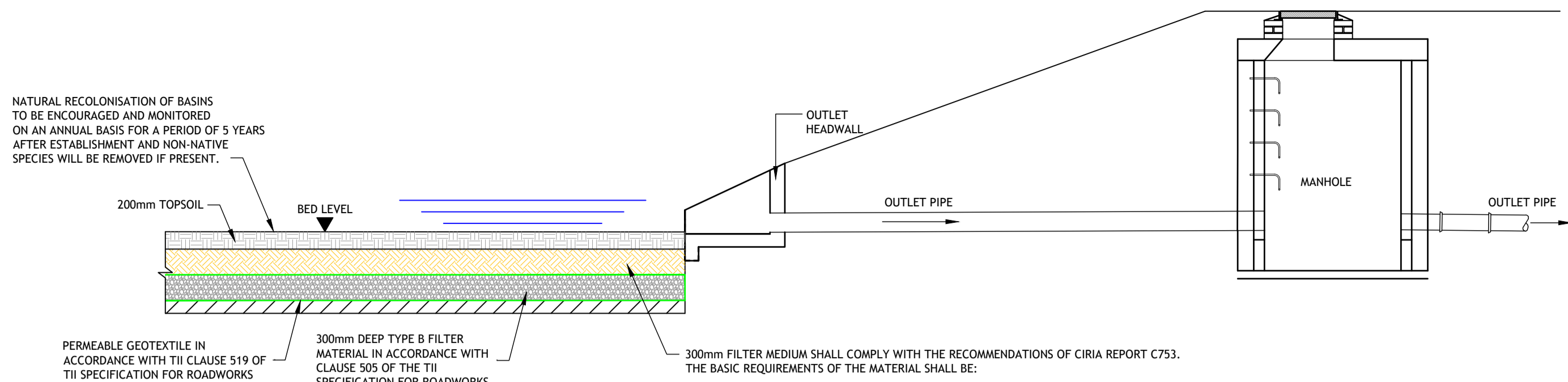
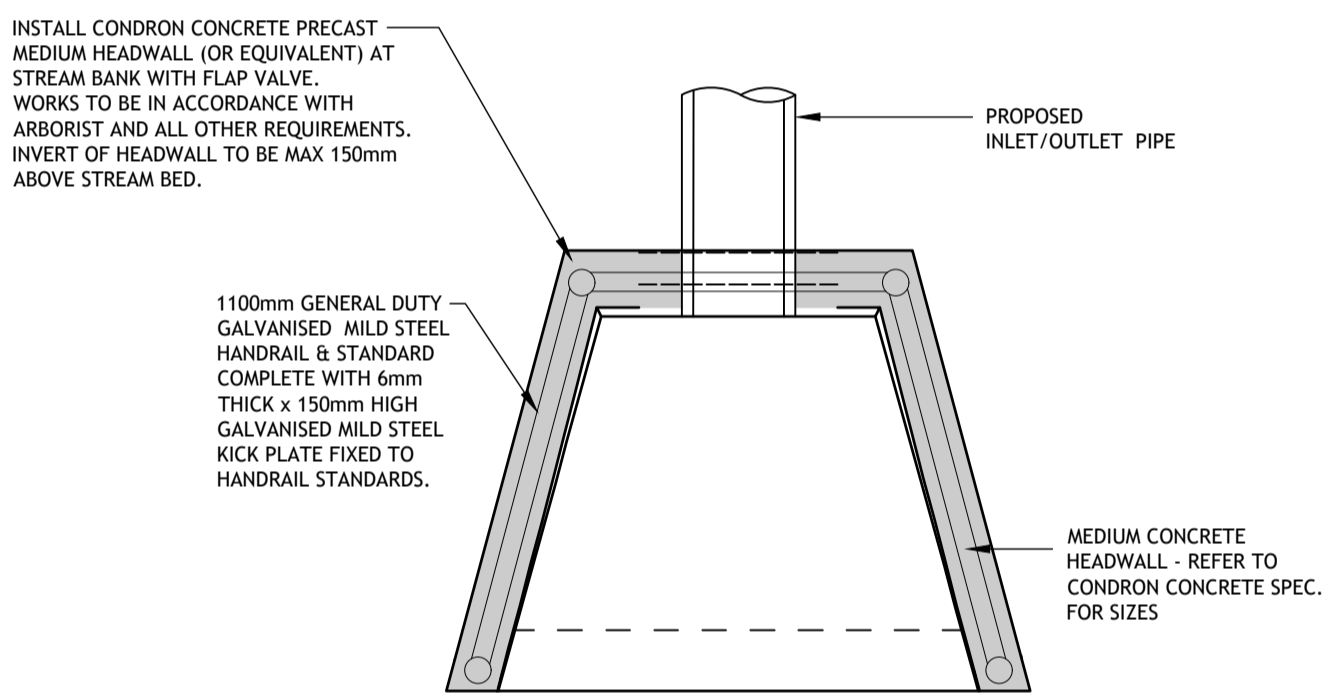


GENERAL NOTES

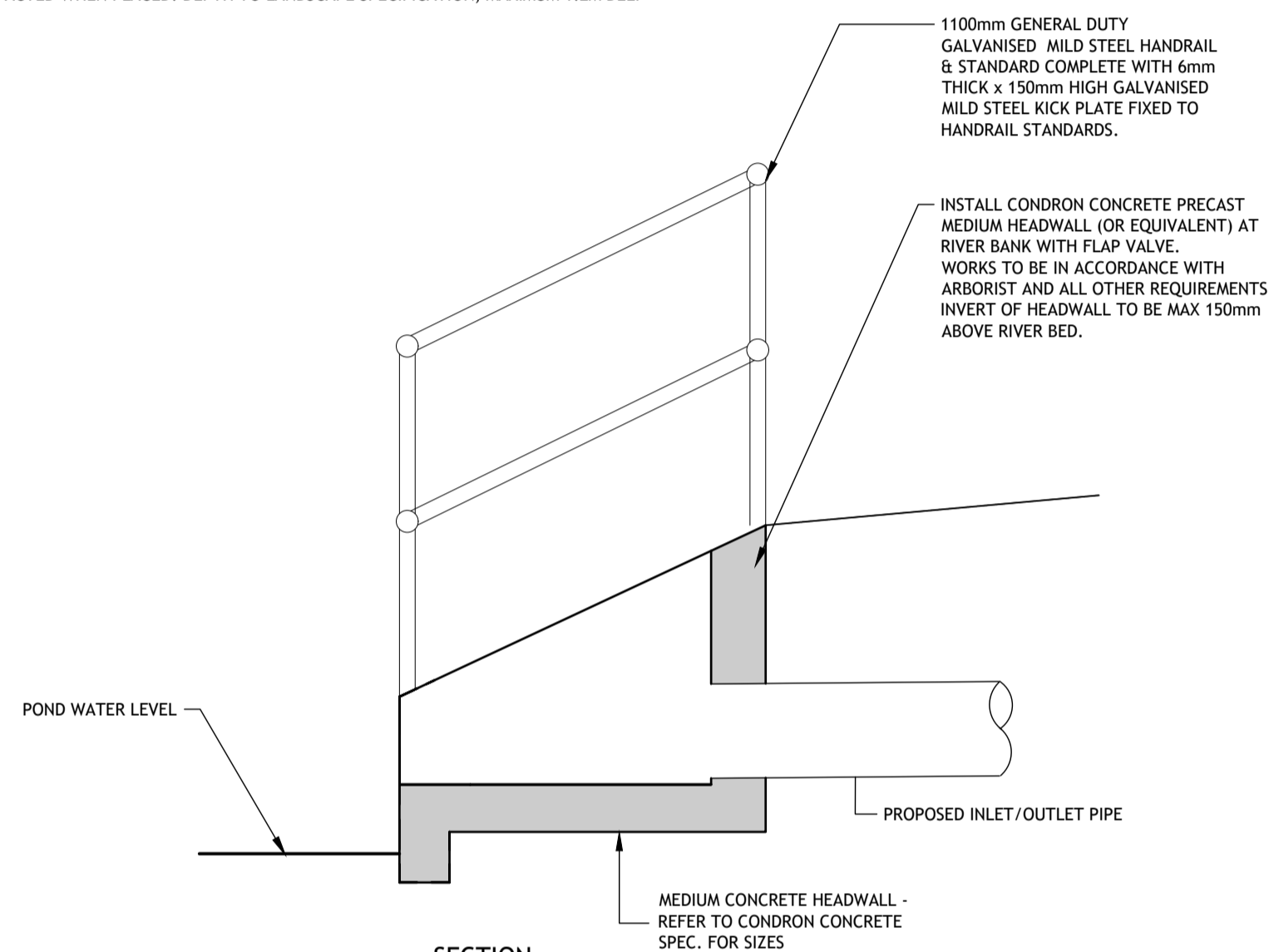
1. DRAWING TO BE READ IN CONJUNCTION WITH ALL OTHER RELEVANT ARCHITECTS & ENGINEERS DRAWINGS & SPECIFICATIONS. DO NOT SCALE USE FIGURED DIMENSIONS ONLY.
2. IT IS THE CONTRACTORS RESPONSIBILITY TO VERIFY OR DETERMINE ALL DIMENSIONS AND LEVELS REQUIRED PRIOR TO COMMENCEMENT OF CONSTRUCTION OR PRODUCTION OF FABRICATION DRAWINGS.
3. FOR DETAILS OF SETTING OUT OF RWP, SVP, WVP AND ALL OPENINGS SEE THE RELEVANT ARCHITECTS DRAWINGS.
4. FOR INSULATION DETAILS REFER TO ARCHITECTS DRAWINGS.
5. TO BE READ IN CONJUNCTION WITH IRISH WATER DETAILS.



INFILTRATION BASIN DETAIL
SCALE 1:50

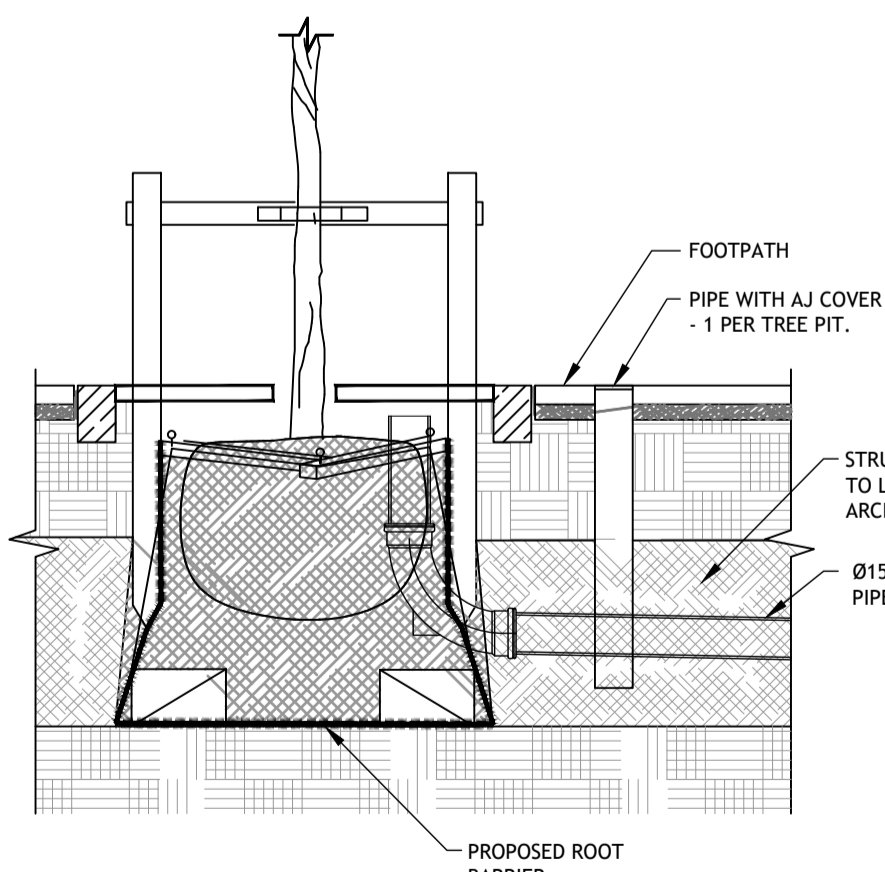


PLAN
SCALE 1:20

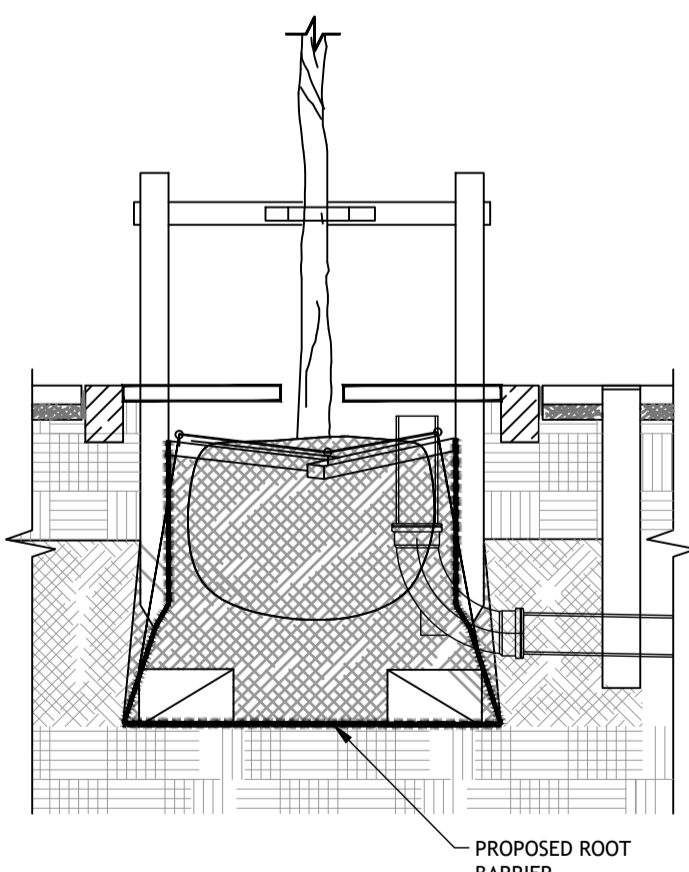


SECTION
SCALE 1:20

INLET/OUTLET HEADWALL DETAIL
- AT STREAM OUTFALL AND IN BASINS
SCALE 1:20



TREE PIT SYSTEM DETAIL
NOT TO SCALE



TREE PIT SYSTEM - CROSS SECTION
NOT TO SCALE

Rev	Amendment	By	Date	Rev	Amendment	By	Date
P01	ISSUED FOR REVIEW AND COMMENT	GS	18/07/2025				
P02	ISSUED FOR S 32B MEETING	GS	26/08/2025				
P03	5 32B COMMENTS ADDED	GS	23/01/2026				
C01	ISSUED FOR PLANNING	GS	25/03/2026				

Rev	Amendment	By	Date

Client:
PONTORAC LTD